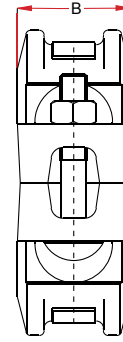
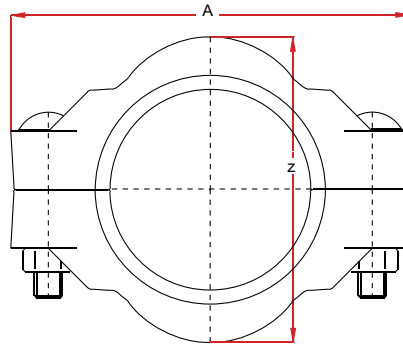


COUPLINGS / Style 07 (HEAVY DUTY FLEXIBLE / SCHWERE FLEXIBLE / ZWARE FLEXIBELE)



HEAVY DUTY FLEXIBLE COUPLING

Maximum working pressure: 69 bar
For fire protection equipment and approved pressure ratings please contact Modgal.

SCHWERE FLEXIBLE KUPPLUNG

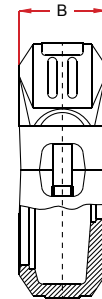
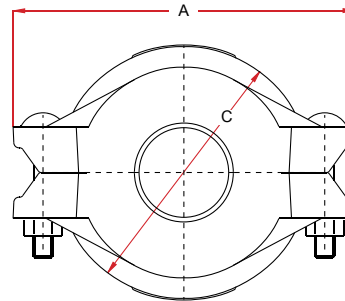
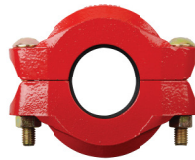
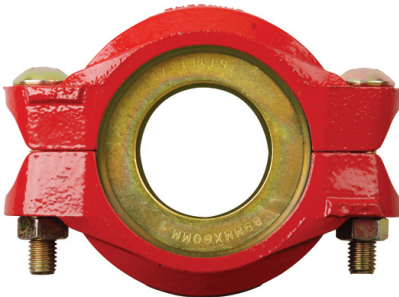
Maximaler Betriebsdruck: 69 bar
Die Brandschutzzulassungen und die Zulassungsnenndrücke erhalten Sie bei Modgal.

ZWARE FLEXIBELE KOPPELING

Maximale werkdruk: 69 bar
Contacteer Modgal voor toegelaten drukklassen voor brandbeveiligingstoepassingen.

Nominal Size (Inches / DN)	Pipe Outside Diameter	Coupling Dimensions			Bolts			Max. End Load in Newton ‡	Allowed Pipe End Separation mm ¶	Max. Deflection (from center line)		Weight Kg ⁵	Approvals
		A	B	C	No.	Size x Length	Degrees per Cplg			Cm per 6 mtr. pipe.			
1½" / 40	48.3	114.0	46.0	81.0	2	M10	56.0	12636	0-3.2	1°58'	21.0	0.89	FM
2" / 50	60.3	138.0	48.0	96.0	2	M12	x 76.0	19695	0-3.2	1°42'	17.8	1.50	FM / UL / LPCB
2½" / 65	76.1	146.0	48.0	110.0	2	M12	x 76.0	31451	0-3.2	1°22'	14.3	1.58	FM
3" / 80	88.9	170.0	48.0	130.0	2	M12	x 76.0	42808	0-3.2	1°05'	11.3	1.89	FM / UL / LPCB
4" / 100	114.3	210.0	56.0	162.0	2	M16	x 89.0	70764	0-6.4	1°40'	17.5	3.63	FM / UL / LPCB
5" / 125	139.7	252.0	56.0	192.0	2	M20	x 120.0	105709	0-6.4	1°25'	14.8	5.42	FM
6" / 150	168.3	282.0	56.0	223.0	2	M20	x 120.0	153422	0-6.4	1°10'	12.2	5.99	FM / UL / LPCB
8" / 200	219.1	352.0	64.0	284.0	2	M22	x 140.0	260018	0-6.4	0°51'	8.9	9.92	FM / UL / LPCB

COUPLINGS / Style 71 (REDUCING COUPLING / REDUZIERKUPPLUNG / REDUCEERKOPPELING)



REDUCING COUPLING

Maximum working pressure: 35 bar
For fire protection equipment and approved pressure ratings please contact Modgal.

REDUZIERKUPPLUNG

Maximaler Betriebsdruck: 35 bar
Die Brandschutzzulassungen und die Zulassungsnenndrücke erhalten Sie bei Modgal.

REDUCEERKOPPELING

Maximale werkdruk: 35 bar
Contacteer Modgal voor toegelaten drukklassen voor brandbeveiligingstoepassingen.

Nominal Size (Inches / DN)	Pipe Outside Diameter	Coupling Dimensions			Bolts			Max. End Load in Newton ‡	Allowed Pipe End Separation mm ¶	Max. Deflection (from center line)		Weight Kg ⁵	Approvals
		A	B	C	No.	Size x Length	Degrees per Cplg			Cm per 6 mtr. pipe.			
2" x 1½" / 50 x 40	60.3 x 48.3	125.0	46.0	91.0	2	M10	57.0	6318	0-3.2	3°25'	35.7	0.95	FM / UL / VDS
2½" x 2" / 60 x 50	76.1 x 60.3	143.0	46.0	105.0	2	M10	x 57.0	9847	0-3.2	2°23'	26.5	1.20	FM / UL / VDS
3" x 2" / 80 x 50	88.9 x 60.3	161.0	46.0	120.0	2	M12	x 76.0	9847	0-3.2	1°05'	11.3	1.70	FM / UL / VDS
3" x 2½" / 80 x 65	88.9 x 76.1	161.0	46.0	121.0	2	M12	x 76.0	15725	0-3.2	1°05'	11.3	1.50	FM / UL / VDS
4" x 2" / 100 x 50	114.3 x 60.3	198.0	50.0	149.0	2	M12	x 76.0	9847	0-6.4	3°23'	35.4	2.70	FM / UL / VDS
4" x 2½" / 100 x 65	114.3 x 76.1	198.0	50.0	149.0	2	M12	x 76.0	15725	0-6.4	2°23'	26.5	2.50	FM / UL / VDS
4" x 3" / 100 x 80	114.3 x 88.9	198.0	50.0	149.0	2	M12	x 76.0	21404	0-6.4	1°05'	11.3	2.40	FM / UL / VDS
5" x 4" / 125 x 100	139.7 x 114.3	245.0	52.0	179.0	2	M16	x 89.0	35382	0-6.4	2°45'	28.8	3.70	FM
6" OD x 3"	165.1 x 88.9	275.0	52.0	207.0	2	M16	x 89.0	21404	0-6.4	1°05'	11.3	5.50	FM
6" OD x 4"	165.1 x 114.3	275.0	52.0	207.0	2	M16	x 89.0	35382	0-6.4	2°12'	23.5	5.40	FM
6" x 3" / 150 x 80	168.3 x 88.9	275.0	52.0	207.0	2	M16	x 89.0	21404	0-6.4	1°05'	11.3	5.30	FM / UL / VDS
6" x 4" / 150 x 100	168.3 x 114.3	275.0	52.0	207.0	2	M16	x 89.0	35382	0-6.4	1°10'	12.5	4.40	FM / UL / VDS
8" x 6" OD	219.1 x 165.1	344.0	60.0	268.0	2	M20	x 120.0	73822	0-6.4	1°41'	17.6	8.80	FM
8" x 6" / 200 x 150	219.1 x 168.3	344.0	60.0	268.0	2	M20	x 120.0	76711	0-6.4	1°10'	12.5	8.70	FM