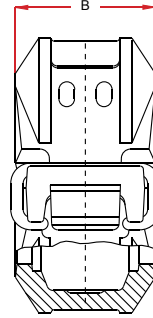
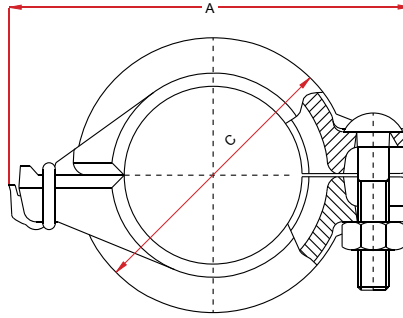


# COUPLINGS / Style 007 QUIKHINGE™ (FLEXIBLE / FLEXIBEL / FLEXIBEL)



## ONE BOLT FLEXIBLE COUPLING

Maximum working pressure: 16 bar  
For fire protection equipment and approved pressure ratings please contact Modgal.

## EINBOLZ FLEXIBLE KUPPLUNG

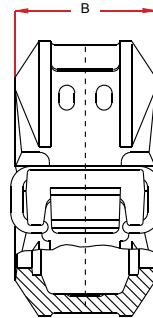
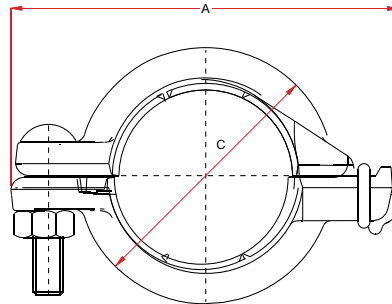
Maximaler Betriebsdruck: 16 bar  
Die Brandschutzzulassungen und die Zulassungsnenn drücke erhalten Sie bei Modgal.

## ÉÉN-BOUITS FLEXIBELE KOPPELING

Maximale werkdruk: 16 bar  
Contacteer Modgal voor toegelaten druk-  
klassen voor brandbeveiligingstoepassingen.

Nominal Size (Inches / DN)	Pipe Outside Diameter	Coupling Dimensions			Bolts			Max. End Load in Newton ‡	Allowed Pipe End Separation mm §	Max. Deflection (from center line)		Weight Kg.	Approvals	
		A	B	C	No.	Size x Length				Degrees per Cplg	Cm per 6 mtr. pipe.			
1" / 25	33.7	100.0	44.0	60.0	1	M10	x	51.0	1401	0-3,2	3°25'	35.7	0.53	FM / UL / VDS
1¼" / 32	42.4	111.0	44.0	68.0	1	M10	x	57.0	2237	0-3,2	3°	31.4	0.62	FM / UL / LPCB / VDS
1½" / 40	48.3	115.0	44.0	74.0	1	M10	x	57.0	2930	0-3,2	2°40'	28.0	0.61	FM / UL / LPCB / VDS
2" / 50	60.3	129.0	45.0	89.0	1	M10	x	57.0	4567	0-3,2	2°25'	25.3	0.69	FM / UL / LPCB / VDS
2½" OD	73.0	142.0	45.0	98.0	1	M10	x	57.0	6693	0-3,2	2°	21.0	0.85	FM / UL
2½" / 65	76.1	145.0	45.0	102.0	1	M10	x	57.0	7293	0-3,2	2°	21.0	0.87	FM / UL / LPCB / VDS
3" / 80	88.9	165.0	46.5	117.0	1	M10	x	57.0	9926	0-3,2	1°50'	19.2	1.10	FM / UL / LPCB / VDS
4" / 100	114.3	198.0	50.0	149.0	1	M10	x	60.0	16409	0-6,4	2°25'	25.3	1.71	FM / UL / LPCB / VDS
5" / 125	139.7	249.0	52.0	181.0	1	M12	x	89.0	24512	0-6,4	2°	21.0	2.95	FM / LPCB / VDS
6" OD	165.1	272.0	52.0	208.0	1	M12	x	89.0	34236	0-6,4	1°30'	15.7	3.40	FM / LPCB
6" / 150	168.3	272.0	52.0	208.0	1	M12	x	89.0	35576	0-6,4	1°30'	15.7	3.10	FM / UL / LPCB / VDS

# COUPLINGS / Style 007RT QUIKHINGE™ (RIGID / STARR / STAR)



## ONE BOLT RIGID COUPLING

Maximum working pressure: 20 bar  
For fire protection equipment and approved pressure ratings please contact Modgal.

## EINBOLZ STARRE KUPPLUNG

Maximaler Betriebsdruck: 20 bar  
Die Brandschutzzulassungen und die Zulassungsnenn drücke erhalten Sie bei Modgal.

## ÉÉN-BOUITS STARRE KOPPELING

Maximale werkdruk: 20 bar  
Contacteer Modgal voor toegelaten druk-  
klassen voor brandbeveiligingstoepassingen.

Nominal Size (Inches / DN)	Pipe Outside Dia.	Coupling Dimensions			Bolts			Max. End Load in Newton ‡	Allowed Pipe End Separation mm §	Weight Kg.	Approvals	
		A	B	C	No.	Size x Length						
1¼" / 32	42.4	108.0	44.0	65.0	1	M10	x	51.0	2796	0 - 1	0.49	FM / VDS
1½" / 40	48.3	114.0	44.0	71.0	1	M10	x	51.0	3663	0 - 1	0.57	FM / UL / LPCB / VDS
2" / 50	60.3	129.0	45.0	85.0	1	M10	x	51.0	5709	0 - 1	0.70	FM / UL / LPCB / VDS
2½" OD	73.0	142.0	45.0	95.0	1	M10	x	57.0	8367	0 - 1	0.75	FM / UL
2½" / 65	76.1	145.0	45.0	97.0	1	M10	x	57.0	9116	0 - 1	0.72	FM / UL / LPCB / VDS
3" / 80	88.9	165.9	46.5	113.0	1	M10	x	57.0	12408	0 - 1	1.0	FM / UL / LPCB / VDS
4" / 100	114.3	198.3	46.0	147.0	1	M10	x	57.0	20511	0 - 1	1.54	FM / UL / LPCB / VDS
5" / 125	139.7	249.5	52.0	181.0	1	M12	x	76.0	30640	0 - 3	2.95	FM / UL / LPCB / VDS
6" OD	165.1	276.0	52.0	208.0	1	M12	x	76.0	42795	0 - 3	3.50	FM / LPCB
6" / 150	168.3	276.0	52.0	208.0	1	M12	x	76.0	44470	0 - 3	3.15	FM / UL / LPCB / VDS